

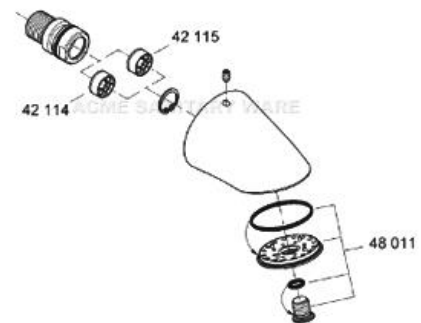
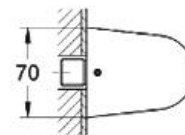
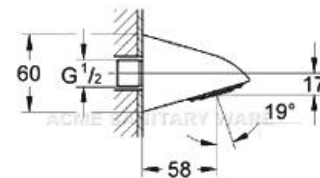


PROJECT		REF		REV	ITEM CODE	
LOCATION		DATE			PAGE	

SANITARY WARE SPECIFICATION SHEET

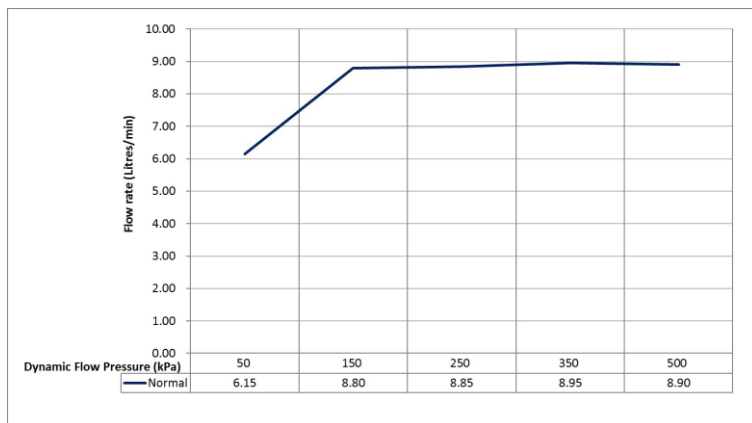
Item Descriptions	GROHE (Germany) Chrome plated shower head ; Nominal flow rate 8.9 l/min in WELS Grade 1 ; Registration No.SB 18-0016
Dimensions	Projection: 58 mm
Model	28002000
Material	Chrome plated
Manufacturer	GROHE Limited
Supplier	Acme Sanitary Ware Co. Ltd Mr. Eric Wong/ Mr. Don Yuen
Contact Tel/Fax	(852) 2388-7171 / (852) 2710-8012
E-mail	acme@acmesanitary.com.hk
Website	www.acmesanitary.com.hk

Illustration/ Drawing



Relaxa 70
 Sports head shower 1 spray
 low aerosol emission
 heavy, cast model
 theft proof
 connection thread 1/2"
 projection 57 mm

flow limiter 9 l/min. and 12 l/min.
GROHE DreamSpray perfect spray pattern
GROHE StarLight chrome finish
SpeedClean anti-limescale system
Inner WaterGuide for a longer life
 suicide resistant design
 pipe union plug-in for wall connection



Dynamic flow pressure (kPa)	50	150	250	350	500
Flow rate (l / min)	6.15	8.80	8.85	8.95	8.90



Note:



* All information of the above is for the reference only. No prior notice is made if any changes.

註冊號碼 (Registration No.): SB 18-0016



自願參與用水效益標籤計劃 - 沐浴花灑
Voluntary Water Efficiency Labelling Scheme - Showers for Bathing



茲證明
This is to certify that

將下列花灑在本計劃內註冊：
has registered the following shower under this scheme :

牌子 / Brand	:	GROHE
型號 / Model	:	28002000
原產地 / Country or Region Origin	:	Germany

在用水效益標籤上展示的標誌 <i>Symbolic Presentation on the Water Efficiency Label</i>	:		滴水點 <i>Water droplet(s)</i>
用水效益級別 <i>Water Efficiency Grade</i>	:	1	
耗水量 <i>Water Consumption</i>	:	8.9	公升/分鐘 <i>litres/minute</i>

簽發日期: 24 January 2018
Date of Issue:



水務署署長(周世威代行)
for Director of Water Supplies